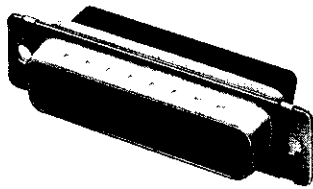
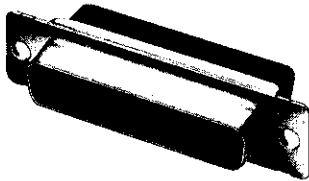


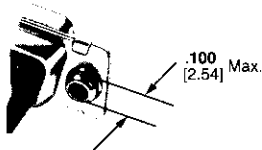
**HDP-22 Crimp Snap-In Contact Connectors** (Continued)



**Plug**  
(With Grounding Indents)



**Receptacle**



**Clinch Nut**  
(Plug and Receptacle)

**Material and Finish:**

**Shell**—Steel, tin plated

**Insert**—94V-0 rated thermoplastic, black

Contacts and ferrules must be purchased separately.

**Related Product Data:**

**Contact Arrangements**—page 41

**Performance Characteristics**—page 42

**Contacts**—page 114

**Ferrules**—page 113

**Mating/Panel Mounting**—page 43

**Cable Clamps**—pages 137, 138, 140-142, 145, 146, 149, 150

**Mating Hardware**—pages 151-155, 158, 160

**Technical Documents:**

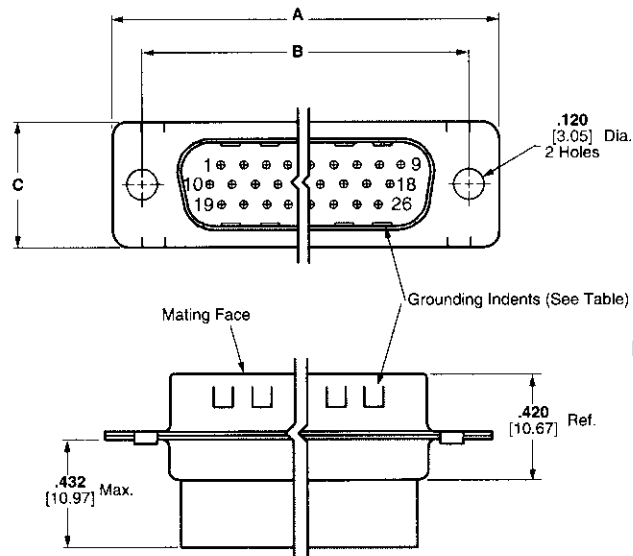
**Application Specification**—114-10001

**Product Specification**—108-1268

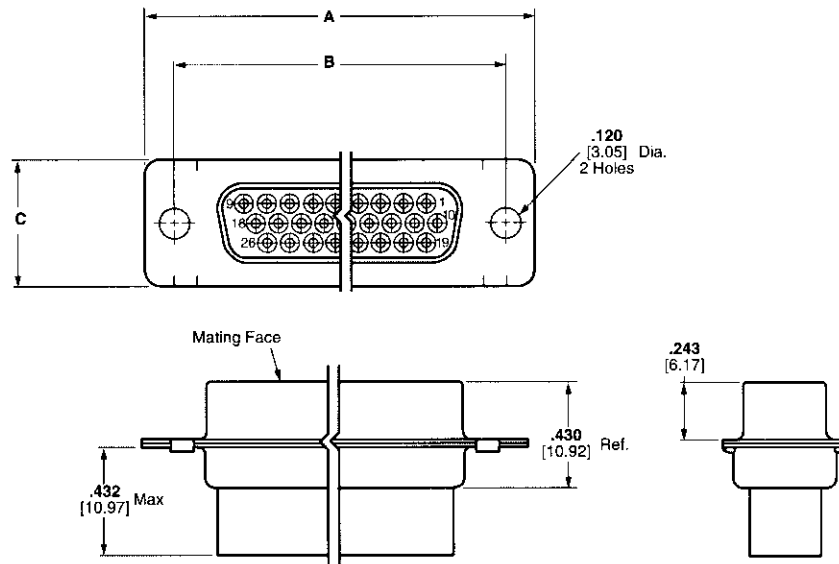
**Instruction Sheets**—408-9381

**Note:** Instruction Sheets for AMP Tooling are packaged with the tooling. For additional information call the Tooling Assistance Center: **1-800-722-1111**.

**Plug**



**Receptacle**



Shell Size	No. of Contact Positions	Dimensions			Part Numbers			
		A	B	C	With Grounding Indents	With Clinch Nuts	With Clinch Nuts	With Clinch Nuts
					Plug	Plug	Receptacle	Receptacle
1	15	1.213 30.81	.984 24.99	.494 12.55	748364-1	787695-1	748565-1	748696-1
2	26	1.541 39.14	1.312 33.33	.494 12.55	748365-1	749717-1	748566-1	788816-1
3	44	2.088 53.84	1.852 47.04	.494 12.55	748366-1	—	748567-1	786583-1
4	62	2.729 69.32	2.500 63.50	.494 12.55	748367-1	1658293-1	748568-1	—
5	78	2.635 66.93	2.406 61.11	.605 15.37	748368-1	—	748569-1	788817-1

**Note:** Plugs accept size 22 DF pin contacts and receptacles accept size 22 DF socket contacts.